



You'll get it done easy with Ingersoll Rand

For more than 100 years, our air impacttools have been the choice of professionals who want to get the job done right every time, even in the harshest work environments. Our new 631L 1" super-duty impacttool delivers exceptional power and rugged durability in a convenient, easy-to-use package.

With its 3172 ft-lb of maximum torque, 3500 rpm free speed, and 8" extended anvil, the 631L is the perfect tool for the most demanding applications, such as automotive service, tire changing, as well as the MRO market. The 631S features a standard anvil, which allows access to limited space applications such as truck chassis and general industrial usage. The 631LSK has two-piece, 21 mm budd wheel sockets and two-piece, 41 mm hex sockets for changing truck and bus tires.

Don't settle for less — demand genuine Ingersoll Rand parts!



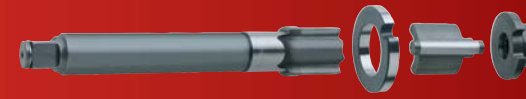
Vaness

Our state-of-the-art, fiber-reinforced, engineered polymers ensure top performance from this critical part.



Endplates

Easily serviceable parts, simplified components, and unique features give the longest tool life available — and the shortest downtime.



Rocking / swinging dog mechanism

For more than 70 years, we've been perfecting our unique metallurgy and chemical treatment processes to produce the toughest impacttools on the market.



Vaness with motor

Tight production tolerances, robust designs, and optimized output provide the best of both performance and productivity.



Sockets

Backed by a long heritage of reliability and engineering excellence, Ingersoll Rand offers an extensive line of industrial-grade sockets.

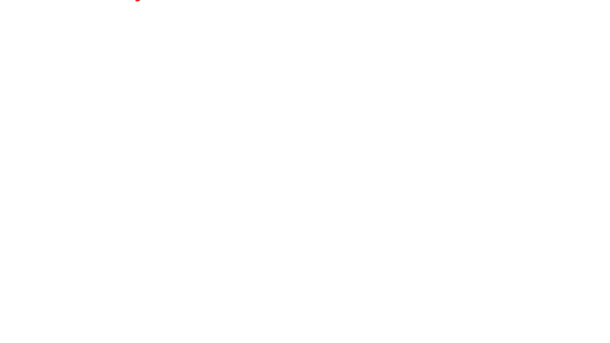


Gloves

For the ultimate in protection and comfort, our gloves are specially designed for the way you use our tools. They enhance your grip and enable your fingers to move easily, improving performance.

As a leader in impacttools, Ingersoll Rand continuously strives for excellence through constant improvement in design and process.

Distributed by:



Ingersoll Rand Industrial Technologies provides products, services, and solutions to enhance the efficiency and productivity of our commercial, industrial, and process customers. Our innovative products include air compressors, air systems components, tools, pumps, material and fluid handling systems, and microturbines.

(800) 376-TOOL · irtools.com

© 2007 Ingersoll-Rand Company IRPS-0307-005



631 Series 1" Super-duty Impactool™



More power to you

Super-duty impacttools for demanding jobs

Grease Groove
provides lubrication to the anvil/hammer case bushing area. Oil seal prevents grease from seeping out of hammer case busing.

Through-hole socket retainer
permits easier socket changing

Industrial 8" extended anvil
ensures rugged durability and access to tough applications

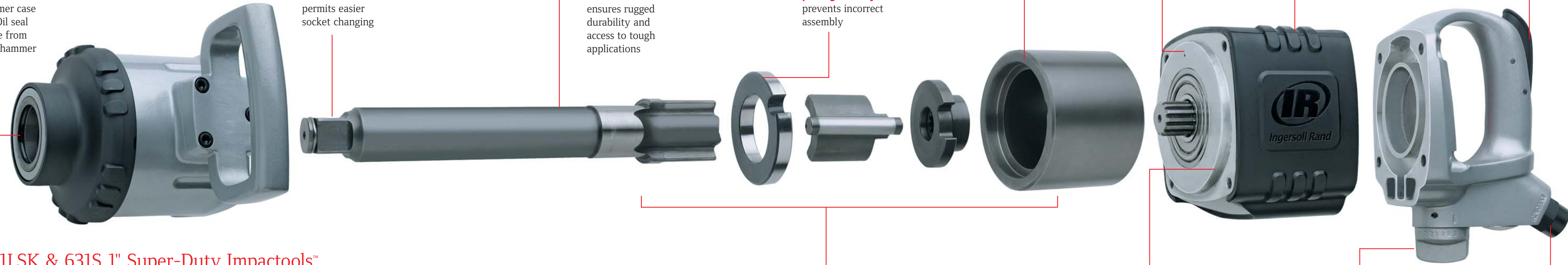
Symmetric hammer plate geometry
prevents incorrect assembly

High inertia-forged hammer frame
provides enhanced durability and torque

Shrink-fitted motor
reduces air consumption and improves performance

Chemical-resistant boots
absorbs shock and protects the hammer case and motor housing from damage

Steel trigger
over-molded with chemical-resistant rubber to provide cushion during impacts



Riveted name plate
for easy tool identification



Oil port
allows oil to be added without hose removal

631L, 631LSK & 631S 1" Super-Duty Impacttools™

SPECIFICATION	631L	631LSK	631S
Max. Torque – ft-lb (Nm)	3,172 (4,300)	3,172 (4,300)	3,172 (4,300)
Working Torque – ft-lb (Nm)	200 – 2,500 (271 – 3,390)	200 – 2,500 (271 – 3,390)	200 – 2,500 (271 – 3,390)
Bolt Capacity – mm (Hex size mm)	M55 (85)	M55 (85)	M55 (85)
Impacts/min	700	700	700
Free Speed – rpm	3,500	3,500	3,500
Weight – lb (kg)	36.5 (16.6)	36.5 (16.6)	32 (14.5)
Length – mm	624	624	431.8
Side to Centre Distance – mm	64.9	64.9	60.36
Average Air Consumption – cfm (L/min)	15.1 (427)	15.1 (427)	15.1 (427)
At Load – cfm (L/min)	56.0 (1,585)	56.0 (1,585)	56.0 (1,585)
Air Inlet Connection NPTF – in	1/2"	1/2"	1/2"
Min. Hose Size – in (mm)	1/2" (13)	1/2" (13)	1/2" (13)

ACCESSORIES	631L	631LSK	631S
Allen Key	yes	yes	yes
Male Thread Quick Change Connector	yes	yes	no
41 mm Hex Socket (90 mm long)	no	yes	no
21 mm Budd Wheel Socket (60 mm long)	no	yes	no
Motor Boot	yes	yes	no
Hammer Case Boot	yes	yes	no

*Performance figures are at 620kPa/90psi/6.2 bar air pressure.

Heat-treated, precision-machined hammer mechanisms
deliver maximum torque, prevent stalling, and increase life



Precision-cut phenolic vanes
provide maximum power and durability

High-efficiency 6-vane air motor
delivers 3,172 ft-lb of maximum torque

4-position power regulator
enables one-motion quick switch actuation to change direction and regulate torque

45° air inlet bushing
provides hose clearance from operator for safety and comfort during use



Common 1" socket sizes for truck, bus, and trailer tires

Part number	Output Hex Size (mm)	Length (mm)
568M32L	32	90
568M33L	33	90
568M34L	34	90
568M35L	35	90
568M36L	36	90
568M38L	38	90
568M41L	41	90
548M21	21 (female square budd wheel)	60

Refer to Ingersoll Rand accessories catalog for more socket sizes.

Impact Life

